



POWERSHOWER

SYSTEMS

**Product
catalog**



26 years on the market

Although we are primarily known for cable tray systems and floor ducts, a growing number of investments are focused on our third specialty: photovoltaic panel structures. Lower electricity bills, a natural energy source, and a pro-ecological approach – these are just some of the factors that support investing in renewable energy sources.

The renewable energy industry is enjoying increasing popularity in our country, both in households, businesses, and public buildings. We're also seeing an increase in investment in constructions for photovoltaic panels at our company. New inquiries regarding PV structures come in daily. The ongoing market trend indicates that the number of investments will continue to grow, and with current energy prices, more and more will appear in the coming years, especially in micro-sized structures, including carports.



INDIVIDUAL PROJECTS

Our mission is to support our clients at every stage of the project, from A to Z, by offering comprehensive services in the areas of calculation, analysis, and technical consulting.

We approach each project individually, adjusting our services to meet our clients specific requirements and expectations.

PRODUCTION

The production facility located in Konstancin Łódzki is the heart of the company. Its importance is not limited to production but influences all aspects of the company's operations, including quality, innovation, and collaboration with other entities.

From hot-dip galvanized structural steel according to PN EN 1461 to steel with a Magnelis® coating, it is here where all structural photovoltaic systems, including carports, are created which are later sold on Polish and international markets.

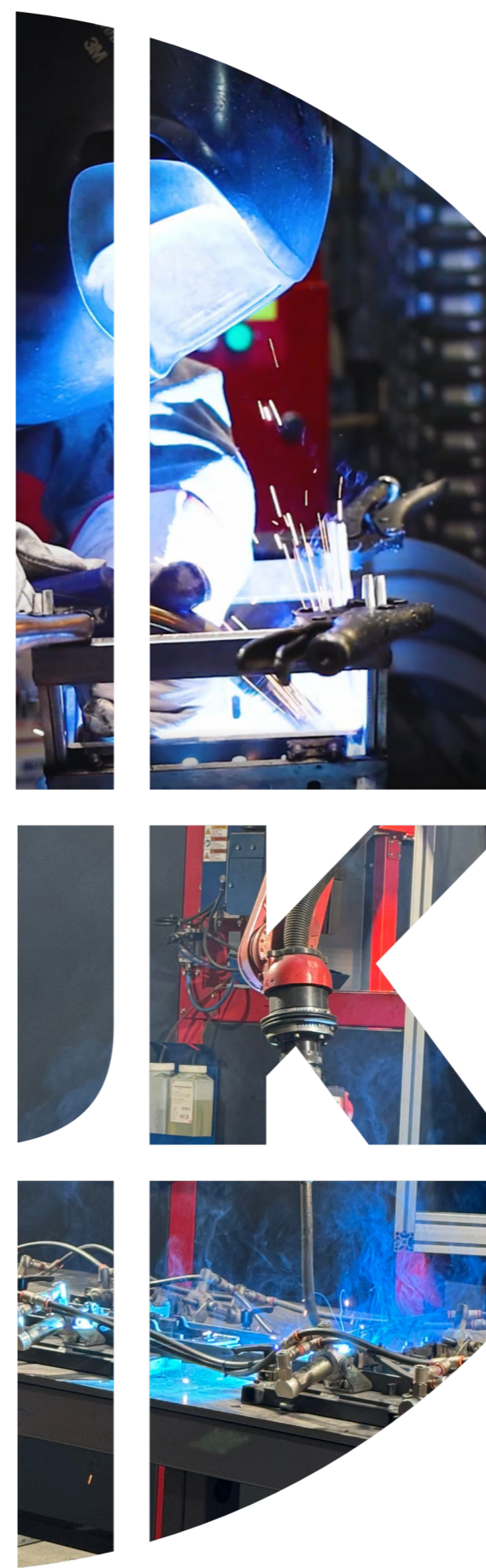
High-quality machinery and appropriate machining technologies ensure structures with the required precision and durability. Quality control at every stage is crucial to meeting standards and customer expectations.

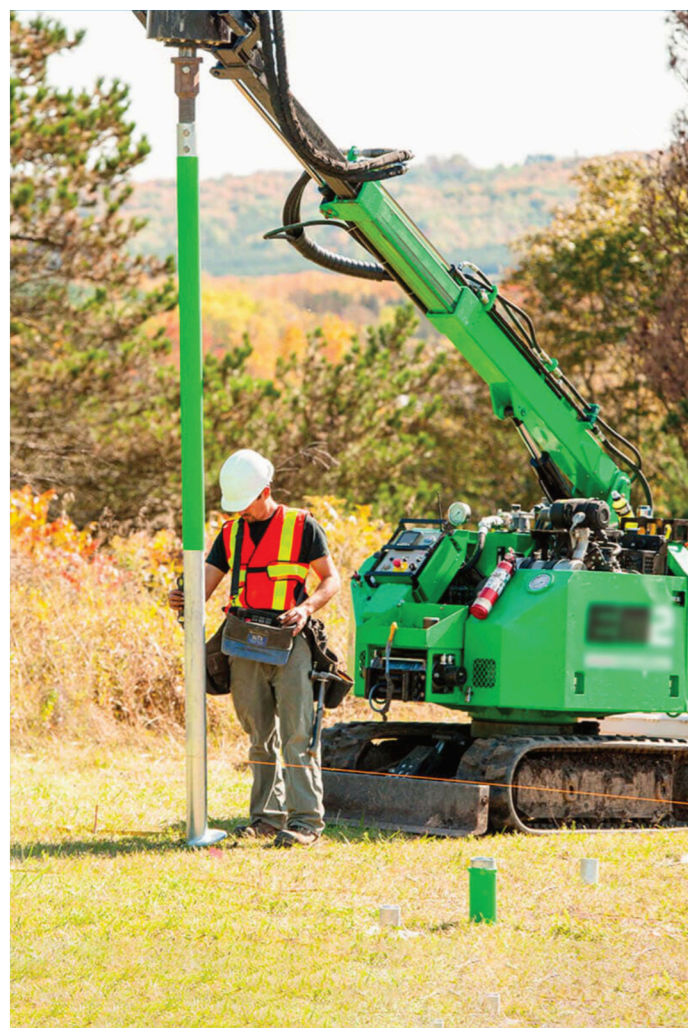
TECHNICAL SUPPORT

Our experts are available to answer all questions and select the best solutions for the client. We provide support during both the planning and implementation phases of projects.

ANALYSIS AND CALCULATIONS

We perform detailed engineering analyses and calculations, which are crucial to the successful completion of a project.





Two mounting systems

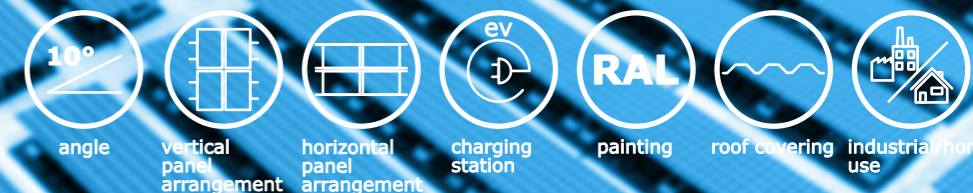
A modern solution for securing carport systems using screw-in piles allows for minimizing the amount of earthworks, without significant interference with the existing surface. This technology significantly reduces installation time.



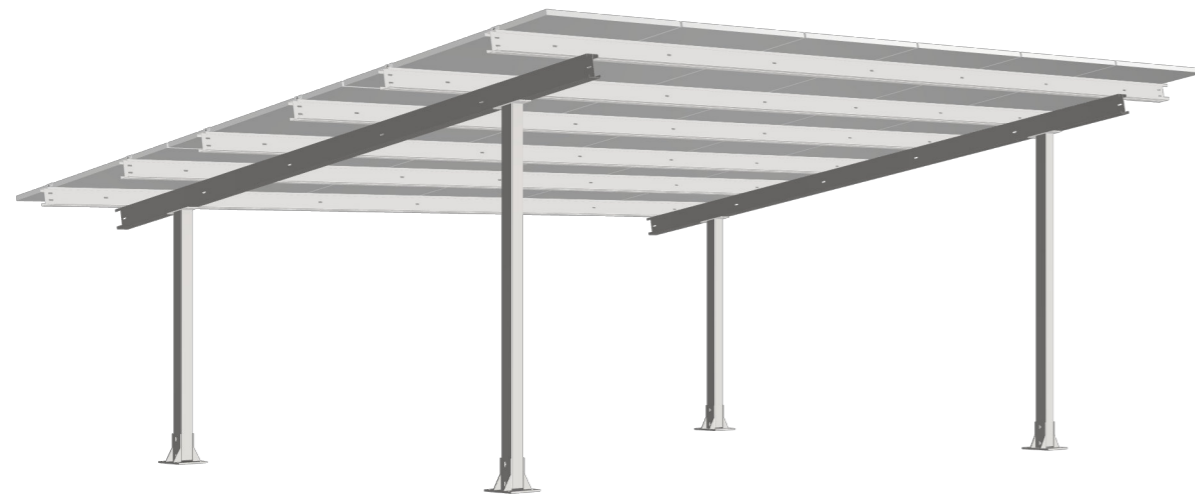
Standard mounting of carport systems on a prefabricated or poured foundation on site facilitates installation in difficult ground conditions.



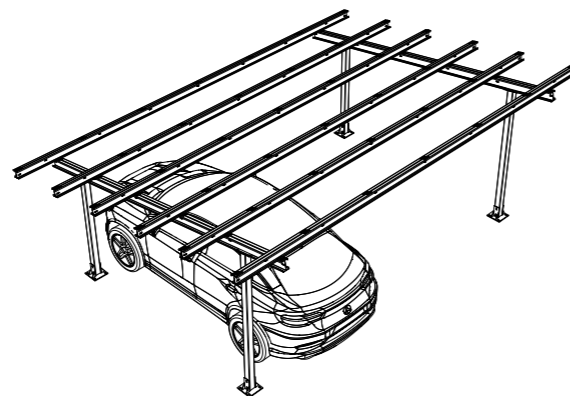
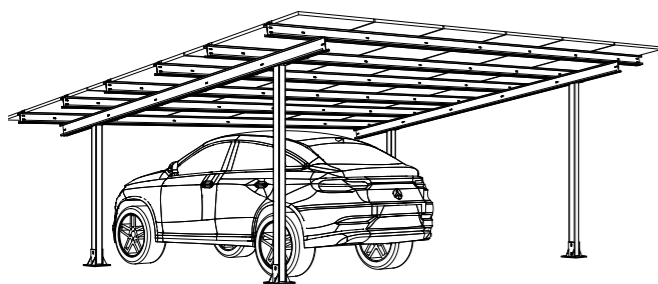
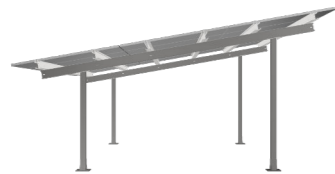
CARPORTS



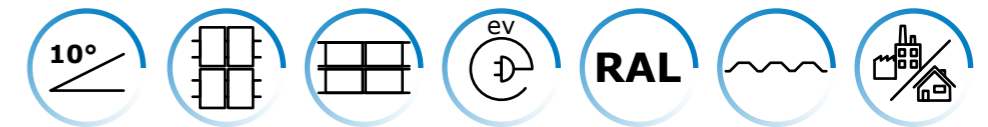
SYSTEM ELPUK GM-CAR H



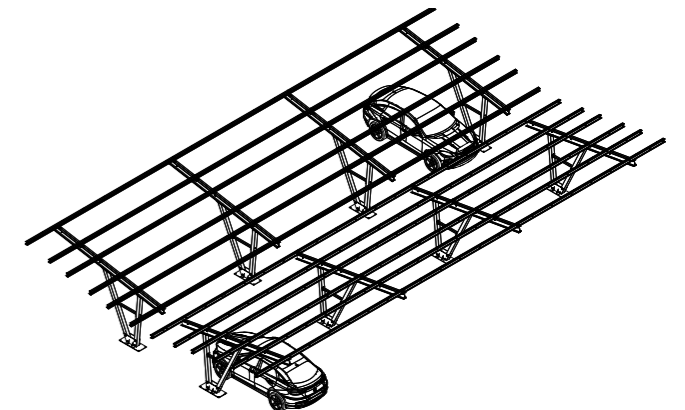
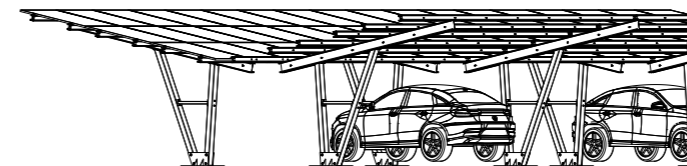
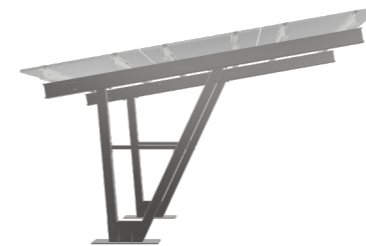
Tilt angle:	10°
Panel arrangement:	3 panels vertical / 5 panels horizontal
Charging station:	Suitable for charging stations
Painting:	RAL
Roof covering:	Trapezoidal sheet metal / tight assembly
Purpose:	Home
Material:	High-strength structural steel
Anti-corrosion coating:	HDG PN EN 1461 / Magnelis®
Installation method:	Foundation fastening / screw piles system
Additional options:	Mountings for inverter / gutters



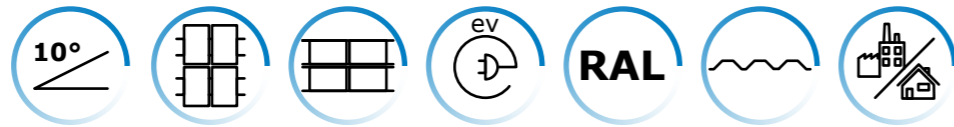
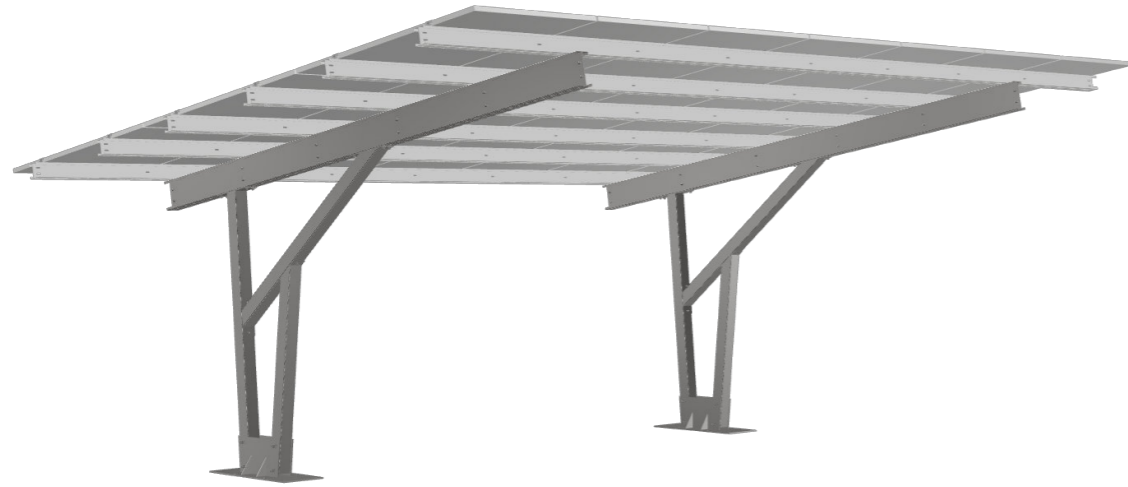
SYSTEM ELPUK GM-CAR V



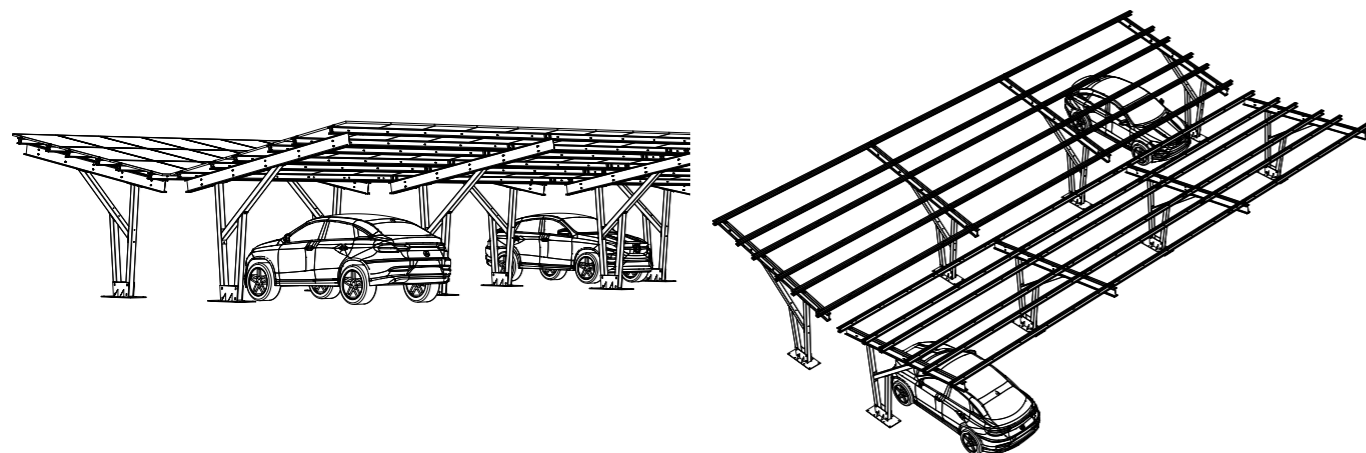
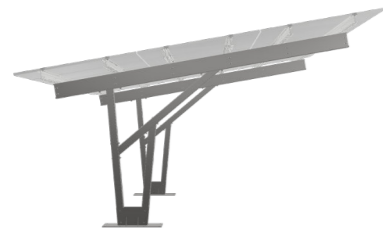
Tilt angle:	10°
Panel arrangement:	3 panels vertical / 5 panels horizontal
Charging station:	Suitable for charging stations
Painting:	RAL
Roof covering:	Trapezoidal sheet metal / tight assembly
Purpose:	Industrial / Home
Material:	High-strength structural steel
Anti-corrosion coating:	HDG PN EN 1461 / Magnelis®
Installation method:	Foundation fastening / screw piles system
Additional options:	Mountings for inverter / gutters



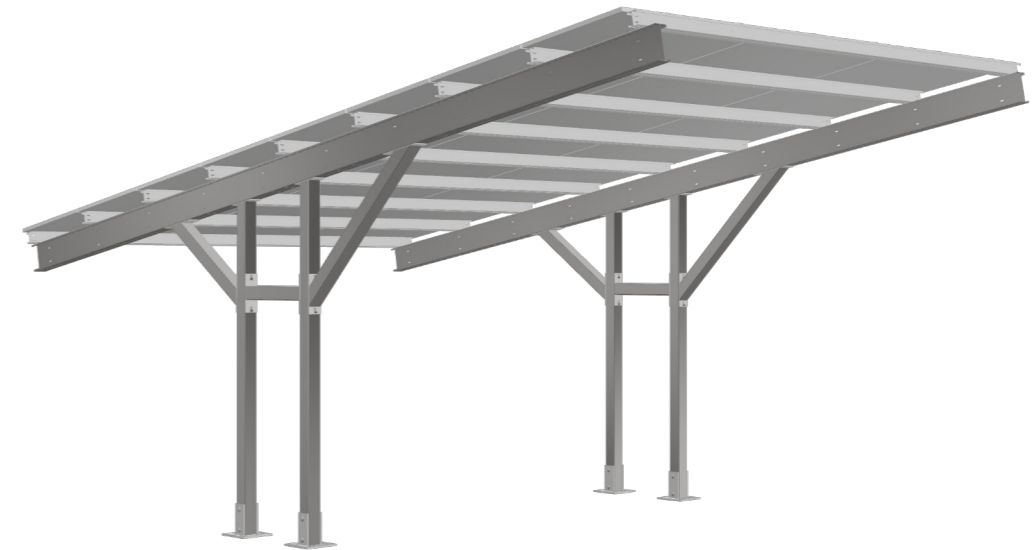
SYSTEM ELPUK GM-CAR K



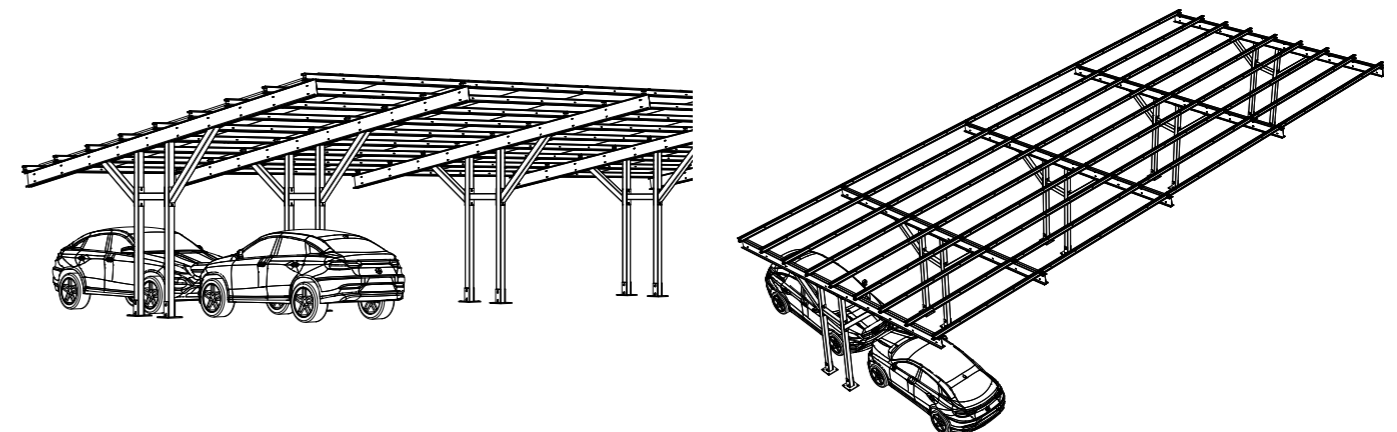
Tilt angle:	10°
Panel arrangement:	3 panels vertical / 5 panels horizontal
Charging station:	Suitable for charging stations
Painting:	RAL
Roof covering:	Trapezoidal sheet metal / tight assembly
Purpose:	Industrial / Home
Material:	High-strength structural steel
Anti-corrosion coating:	HDG PN EN 1461 / Magnelis®
Installation method:	Foundation fastening / screw piles system
Additional options:	Mountings for inverter / gutters



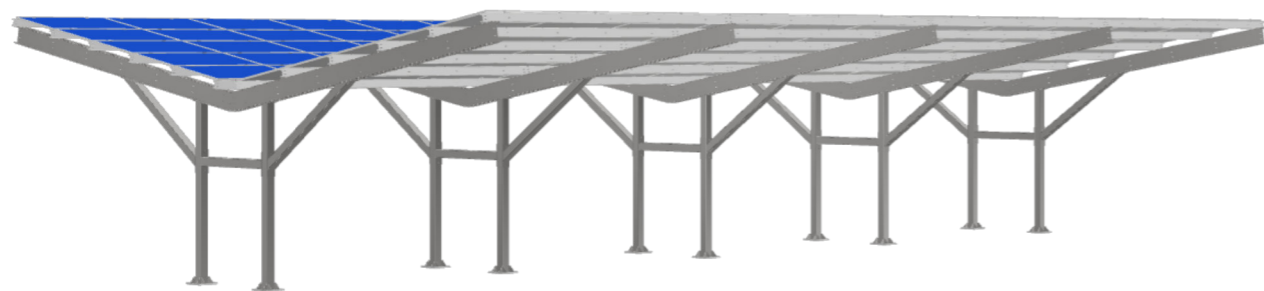
SYSTEM ELPUK GM-CAR T



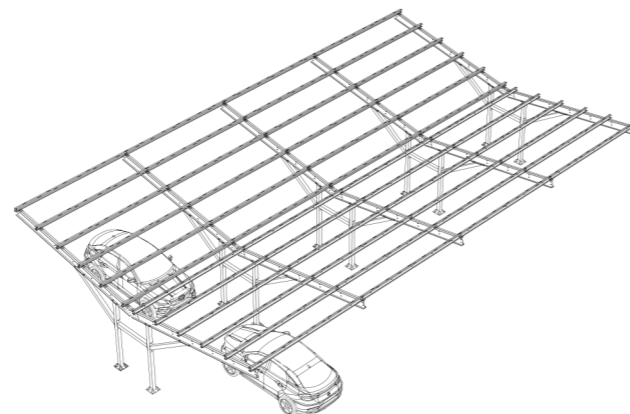
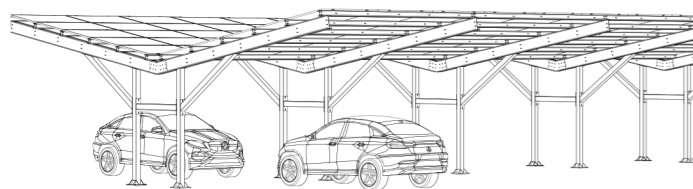
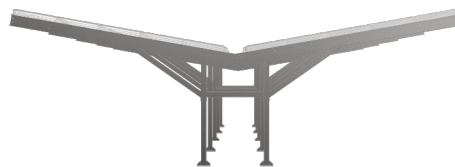
Tilt angle:	10°
Panel arrangement:	8 panels horizontal
Charging station:	Suitable for charging stations
Painting:	RAL
Roof covering:	Trapezoidal sheet metal / tight assembly
Purpose:	Industrial
Material:	High-strength structural steel
Anti-corrosion coating:	HDG PN EN 1461 / Magnelis®
Installation method:	Foundation fastening / screw piles system
Additional options:	Mountings for inverter / gutters



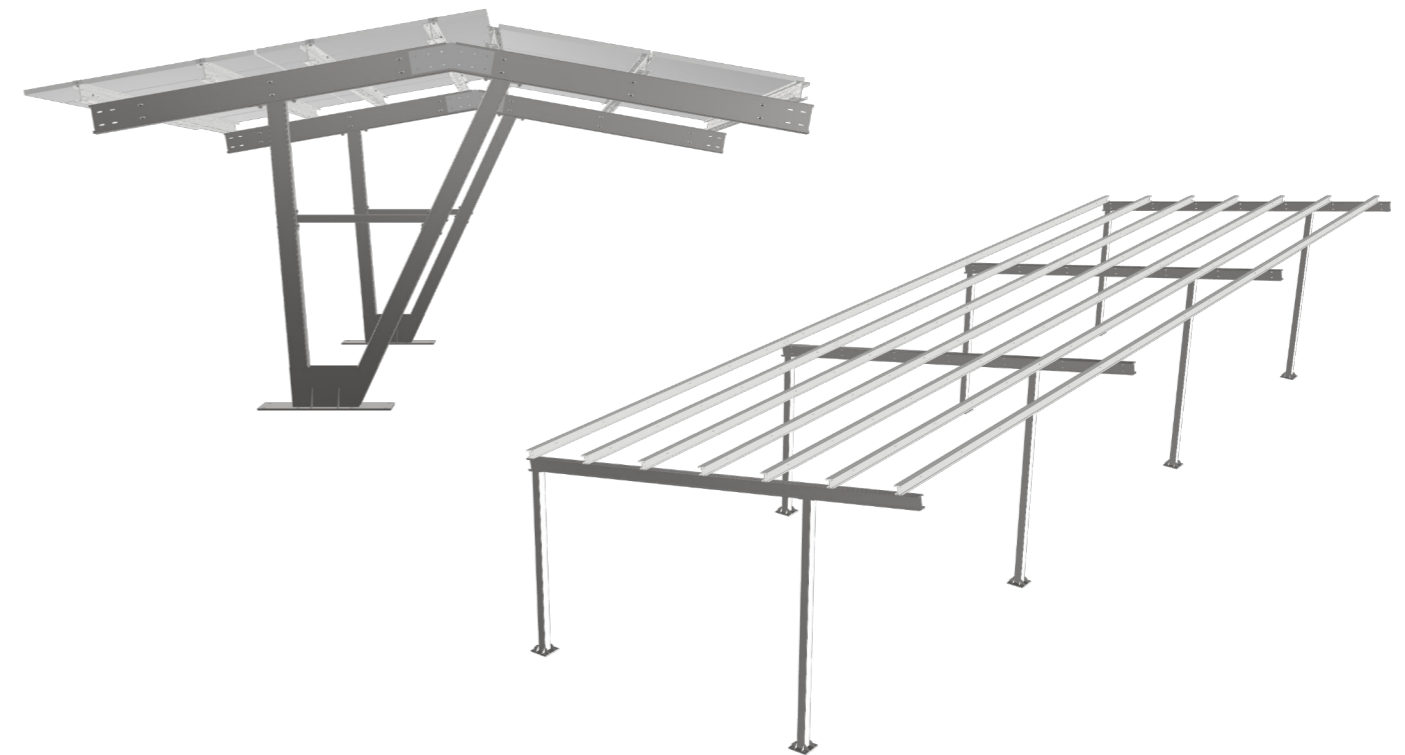
SYSTEM ELPUK GM-CAR Y



Tilt angle:	10°
Panel arrangement:	6 panels vertical / 10 panels horizontal
Charging station:	Suitable for charging stations
Painting:	RAL
Roof covering:	Trapezoidal sheet metal / tight assembly
Purpose:	Industrial
Material:	High-strength structural steel
Anti-corrosion coating:	HDG PN EN 1461 / Magnelis®
Installation method:	Foundation fastening / screw piles system
Additional options:	Mountings for inverter / gutters



SPECIAL DESIGNS



Need an unusual design solution?

Thanks to our extensive experience and strong design support, EL-PUK is ready to tackle any problem and create a carport design that meets your expectations.



EL-PUK Sp. z o.o.
ul. Innowacyjna 4 | 95-050 Konstantynów Łódzki
Telefon: +48 42 211 88 01 | marketing@elpuk.com.pl | www.elpuk.com.pl

